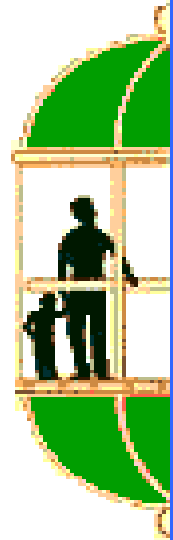


Marstech[®] Lift Safety System

Uninterruptible Power Supply (UPS)

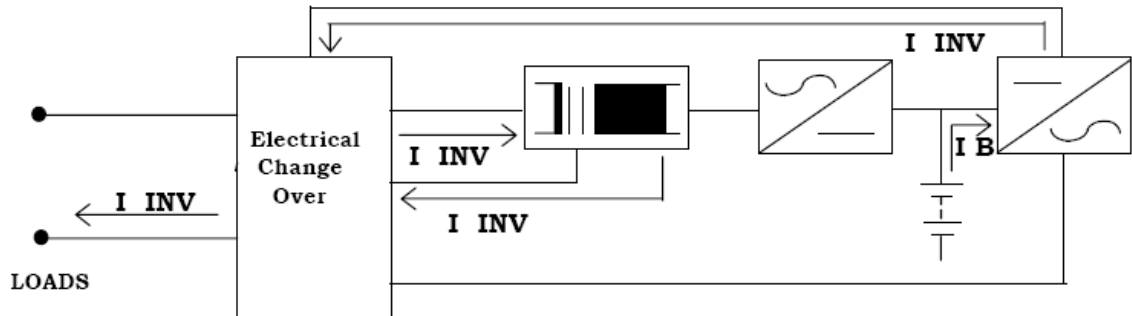
Features:

- Fulfilled and complied to IEC 62040-1
- Complete *Marstech* UPS series for various applications
- MCU technology with temperature compensation sensor
- Most compact and unique design. Reliable in product quality for contemporary business environment, both commercial and residential projects
- Revolutionary performance for all passenger and cargo lifts
- Industrial design to suit elevator application



Marstech UPS (Uninterruptible Power Supply) is specially designed for Lighting, ventilation and alarm for passenger lift car in the event of power failure.

UPS consists of a Rectifier, a set of Battery and an Inverter. It enables the battery be charged through the rectifier and at the same time provides supply to the load during normal condition.



The Battery will restore its energy in the form of DC current to the Inverter and invert to an AC current supplies to the load when the mains fails. When the AC main supply is resumed, the batteries will be recharged immediately and through the Electrical Change Over Contact, the mains will supply to the loads.

Model	SSW 24-2	SSW 24-4
Input voltage (V)	230 +/-10%	
Input frequency (Hz)	47-53	
Rated power (W)	120	
Rated voltage (V)	230 +/- 10%	
Rated frequency (Hz)	50Hz +/-1%	
Battery voltage (V)	24	
Technology	Embedded MCU control	
Waveform	Modified Sinewave	
Back up time (hours)	2	4
Approx weight (kgs)	18	18
Dimension (H x LxW)mm	610 x 430x180	610 x430x180
Temp. compensation	Yes	
Battery used	2 x 18Ah	2 x 33Ah
Safety	IEC62040-1	

Marstech Systems Pte Ltd
 Block 24 Sin Ming Lane #05-107 Midview City Singapore 573970
 Email:brotek@singnet.com.sg

Marstech reserves the right to change or revise any information or detail given without prior notice